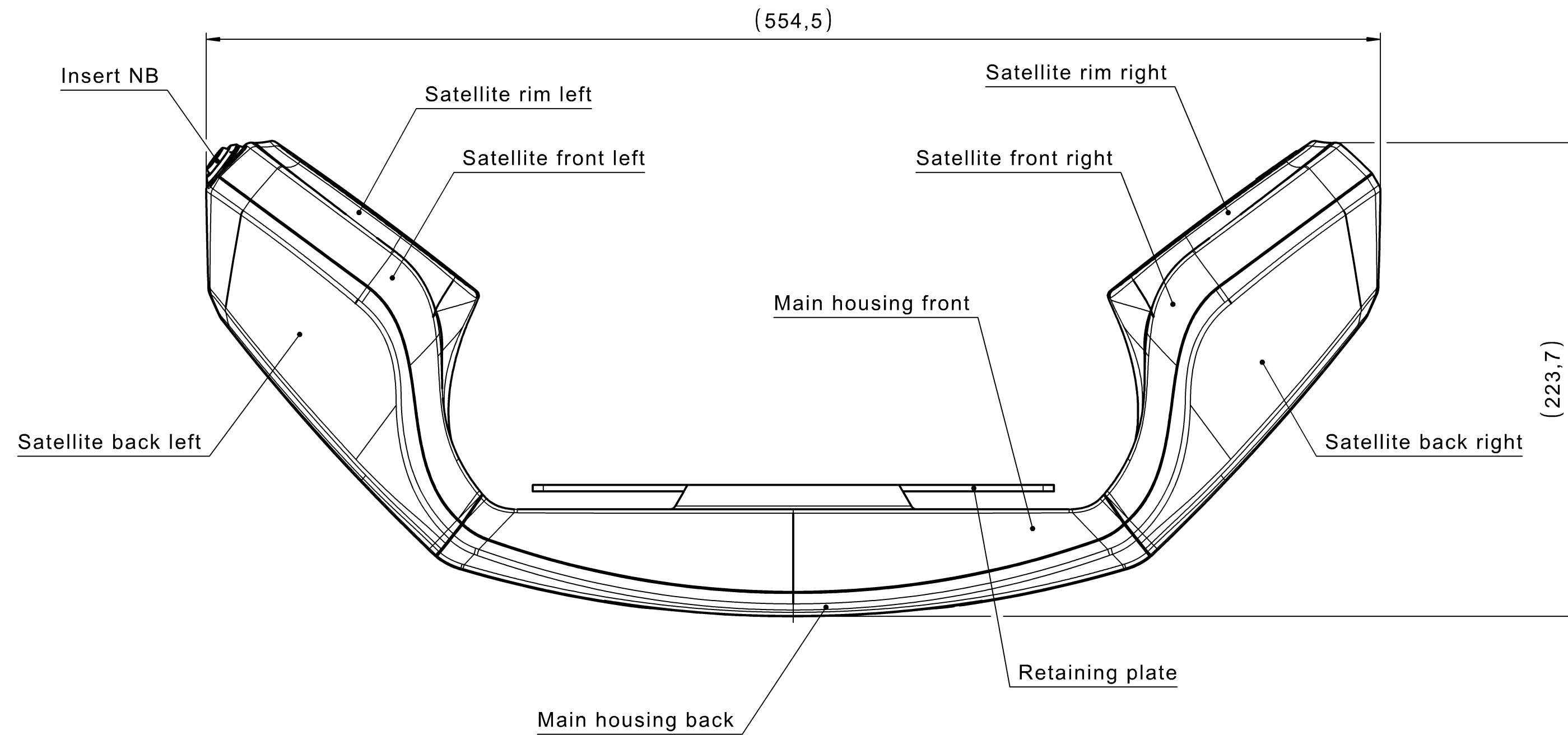


NO.	Symbol	component
1		power button

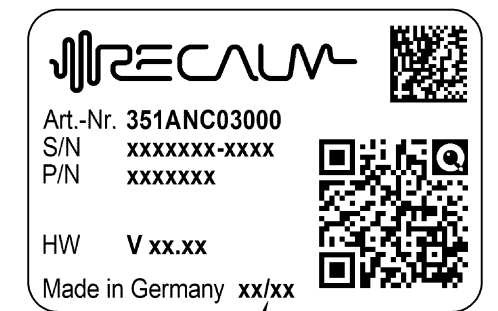


Plastic:
Material: PC-ABS
Colour: RAL9004
Print: RAL5015
Surface: MT9039

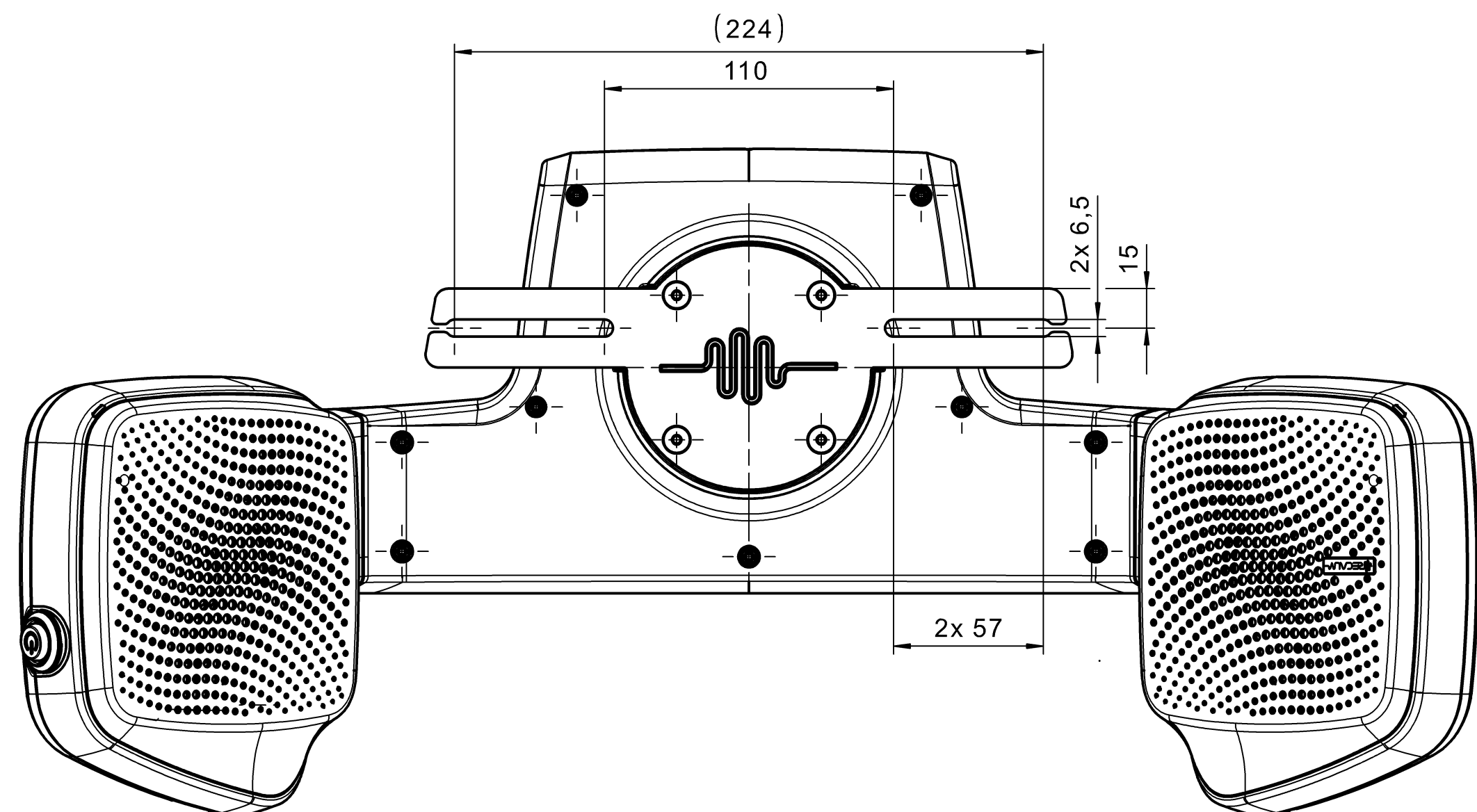
Retaining plate:
Material: S355JR
Colour: RAL9005

Insert NB:
Material: ALU
Colour: RAL5015
Surface: eloxiert

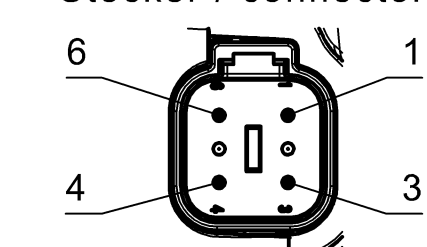
Etikett
label
2:1



Fertigungsdatum: Woche/Jahr
date of production: week/year



Stecker / connector



PIN	Farbe / colour	Funktion / function
1	RD	VIN
2	BK	GND
3	YE	CAN_N
4	GN	CAN_P
5	GN	A2B_A_N / A2B_B_N
6	YE	A2B_A_P / A2B_B_P

Kabelsatz 572004001 und Montagepaket 57200577 lose beigelegt
Cable set 572004001 and assembling package 57200577 loosely attached

TECHNISCHE DATEN TECHNICAL SPECIFICATION

Elektrische Daten	electrical specification
Betriebsspannung 8V - 42V	operating voltage
Max. Leistung 120 W	max. power
Verpolschutz	inverse-polarity protection
Kurzschlussfestigkeit einzelner Pins vom Versorgungsstecker jeweils zu GND und Versorgungsspannung	
Short-circuit strength of individual pins from the supply connector to GND an supply voltage respectively	

Allgemein	general
Schutzart IP 54 ISO 20653	protection class
Betriebstemperatur -40°C...+70°C	Operating temperature
Lagertemperatur -55°C...+105°C	Storage temperature

STD. / ANGLE TOLERANCE	MATERIAL	WEIGHT	DOC. STATUS			
DIN ISO 2768 v			Released			
TOLERANCE PRINC. ACC.	SHAPE LOCAT.	REVISION	CHANGE NO.	DOC. TYPE		
ISO 8015	DIN ISO 2768 vL	APPROVED BY	br1pa	DATE OF ISSUE	21.02.23	K1
APPLICATION	EDITED BY	TECHN. REF.	CREATION DATE	CAD System	PAGE	
RECALM	re1ma	br1pa	21.02.23	CAD System Siemens NX		
elobau			TITLE	PART NUMBER		
			Noise Cancelling Module	351ANC03000		
				DOCUMENT NUMBER / TC-ID		
				351ANC03000		